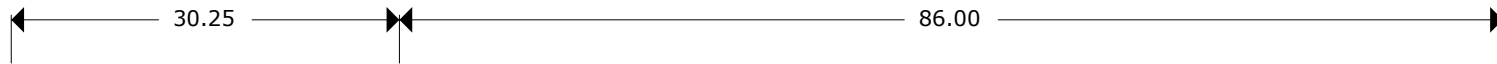


# HYBRID

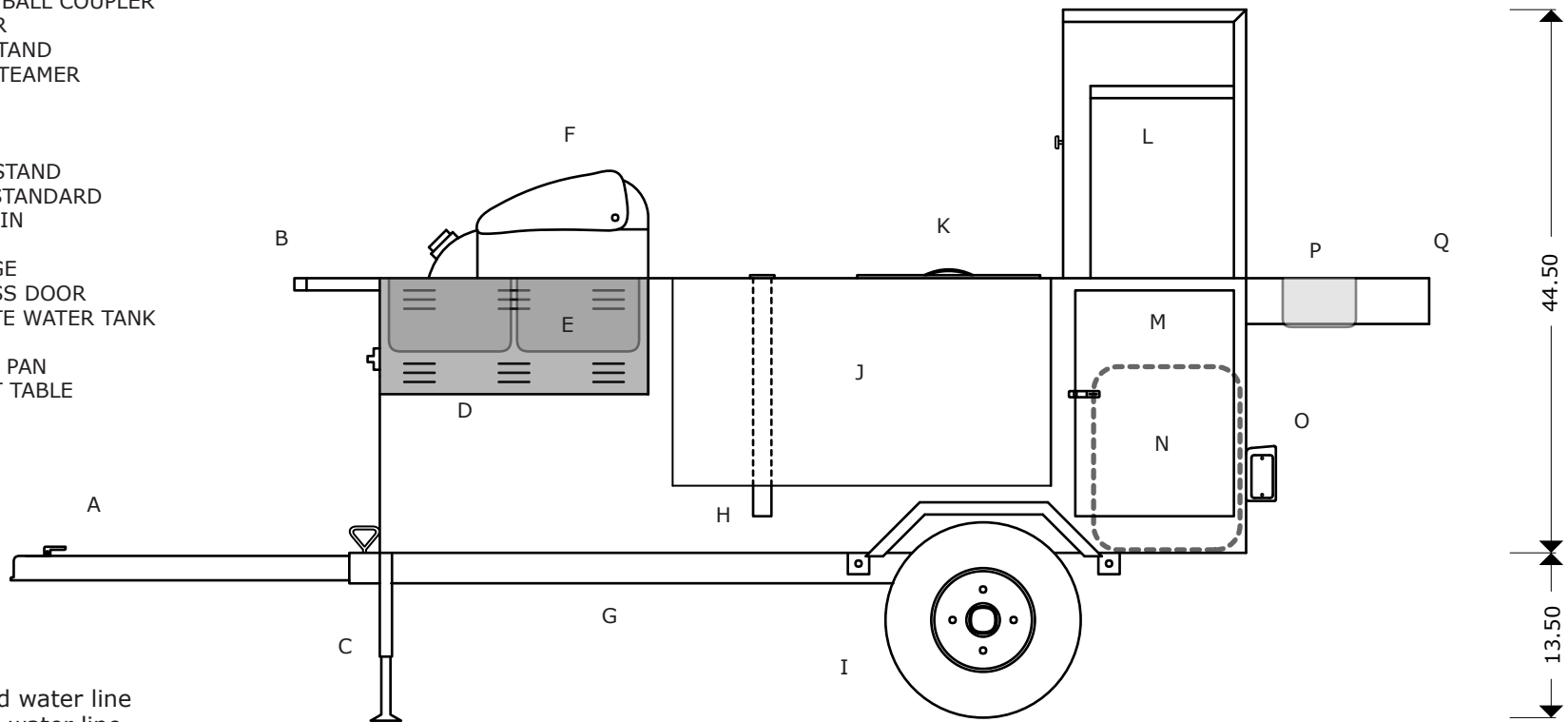
Hot Dog  
Cart Company

Left Side View:

734-507-1212



- A-TOW BAR w/BALL COUPLER
- B-HANDLE BAR
- C-LEVELING STAND
- D-ELECTRIC STEAMER
- E-STEAM PAN
- F-GRILL
- G-TRAILER
- H-UMBRELLA STAND
- I-TIRE 4.8X8 STANDARD
- J-BEVERAGE BIN
- K-LID
- L-DRY STORAGE
- M-SIDE ACCESS DOOR
- N-7 GAL WASTE WATER TANK
- O-TAIL LIGHT
- P-CONDIMENT PAN
- Q-CONDIMENT TABLE



- - - - - Cold water line
- - - - - Hot water line
- - - - - Gas line
- - - - - Wastewater line